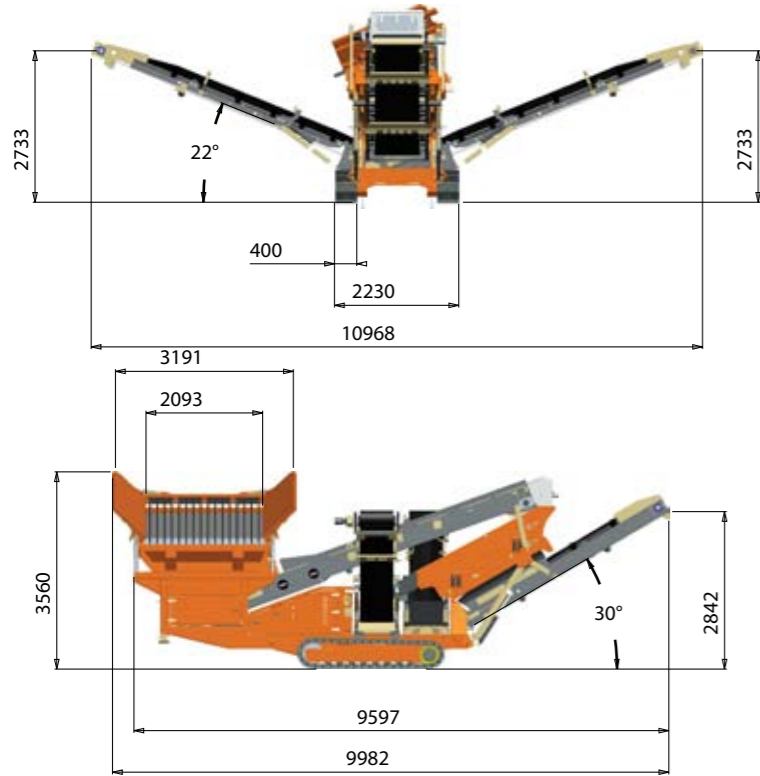
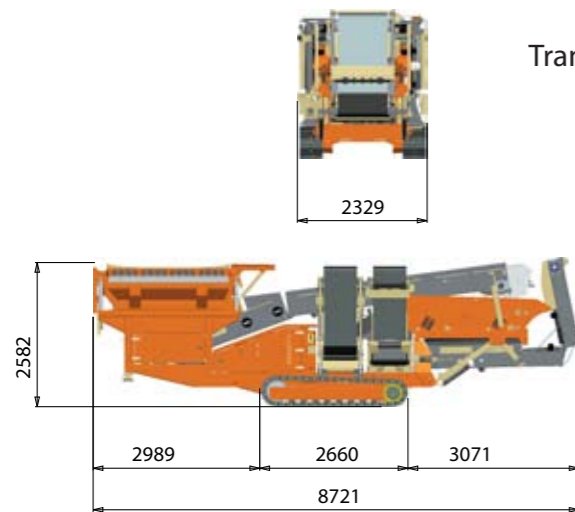


Working Configuration



Transport Configuration



Specification subject to change without notice

Portafill 3000ST



Mobile Screening Solutions

Dealer



Portafill International Limited
 29 Farriter Road, Cabragh
 Dungannon
 Co. Tyrone, Ireland.
 BT70 1TL
 +44 (0)28 8776 9467
 www.portafill.com
 reception@portafill.com

www.portafill.com

The Portafill 3000ST is a high yield but ultra portable screening plant. International shipping is a breeze as this powerful machine can be automatically compacted to fit inside a single container or be transported by road.

Portafill 3000ST Features & Specification

Triple conveyor system yielding multiple products. Track mounted for ultra-portability around site. The 3000ST model is fitted with a side facing tipping grid for loading with excavator or loader.

Machine compacts incredibly well to aid efficient and easy transport. All main components and service checkpoints are easily accessed.

Engine	Deutz Diesel 39.9KW (53HP)
Screen	2400 (8') x 1200 (4')
Total Weight	11,500 kgs (25,300 lbs)
Transport Length	8.721m (28' 7")
Transport Width	2.329m (7' 7")
Transport Height	2.582m (8' 5")
Working Length	9.982m (32' 8")
Working Width	10.978m (36')
Working Height	3.560m (11' 8")



More Productive

Tough work calls for a machine that is built to take any punishment you can dish out. The Portafill range has the inner strength and the outer durability to handle the toughest jobs. High specification engine and components ensure minimum downtime and maximum productivity. Using only the best, tested and approved materials, combined with a series of stringent quality checks during production and assembly, be assured that you will receive a product of unrivalled quality, durability and reliability.

Produktiver

Harte Arbeiten brauchen Maschinen, die so gebaut sind, dass sie jede Aufgabe bewältigen. Die Produkte von Portafill besitzen die innere Stärke und die äußere Härte, um auch die schwierigsten Aufgaben zu bewältigen. Motoren und Bauteile in hochwertigster Ausführung garantieren minimale Ausfallzeiten und größtmögliche Produktivität. Wir verwenden ausschließlich die besten, getesteten und genehmigten Materialien und führen während Fertigung und Montage eine Reihe strenger Qualitätskontrollen durch. Sie können also sicher sein, dass Sie ein qualitativ hochwertiges, langlebiges und zuverlässiges Produkt erwerben, das seinesgleichen sucht.

Più produttivo

I lavori pesanti continuativi richiedono macchine in grado di sopportare qualsiasi tipo di maltrattamento.. La serie Portafill possiede la forza intrinseca e la durezza necessarie per eseguire i lavori che richiedono la massima tenacia. I motori e i componenti di qualità assicurano tempi di inattività minimi e il massimo della produttività. Impiegando solo i migliori materiali, testati ed approvati, uniti ad una serie di severi test di qualità durante le fasi di produzione e di montaggio, siamo in grado di garantire un prodotto di ineguagliata qualità, durezza e profittabilità.

Plus Productif

Qui dit travaux pénibles dit machine construite pour supporter les plus mauvais traitements que vous pouvez lui infliger. La gamme Portafill possède la force intérieure et la durabilité extérieure nécessaires pour supporter les travaux les plus pénibles. Un moteur et des composants aux caractéristiques élevées assurent un temps de panne minimum et une productivité maximum. Ce n'est que par l'utilisation des meilleurs matériaux, testés et approuvés, associés à une série de contrôles de qualité très stricts réalisés au cours de la production et du montage, que vous serez assurés de recevoir un produit de qualité, durabilité et fiabilité incomparable.