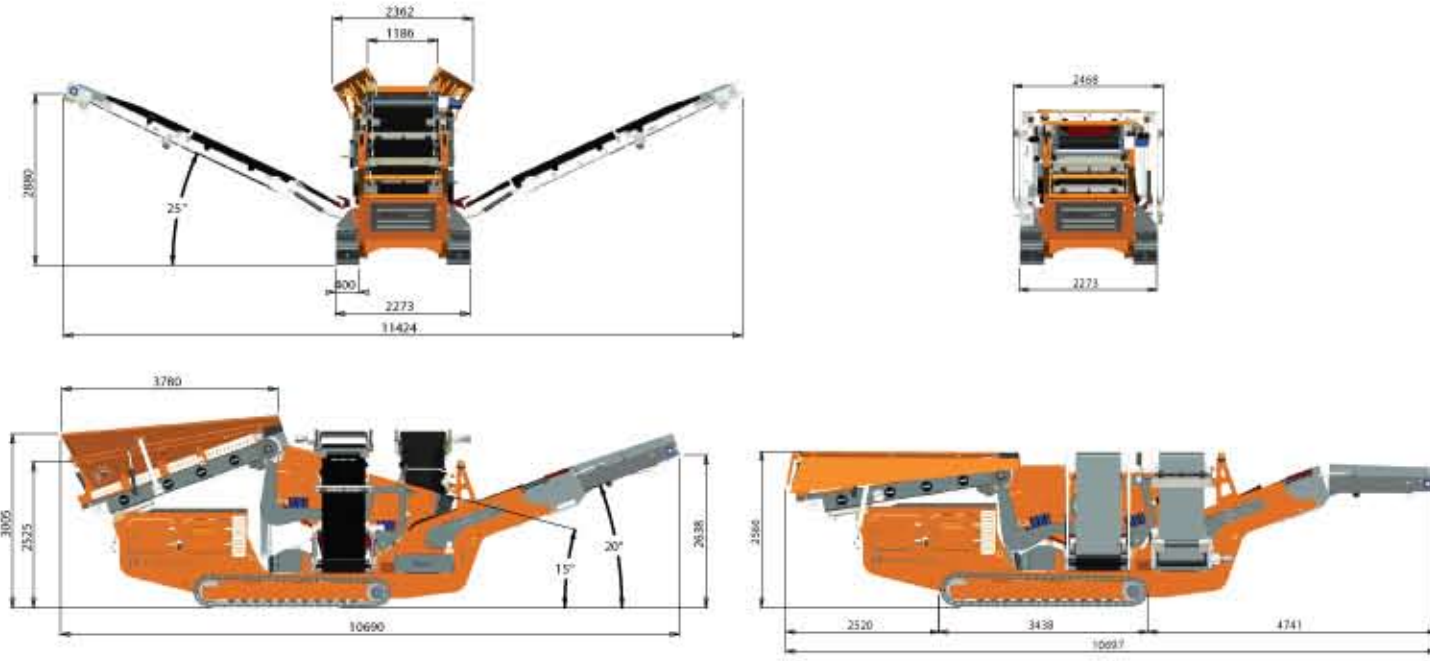


### Working Configuration

### Transport Configuration



### 2in1 Conveyor



2in1 oversize conveyor in standard operating mode



Within 30 seconds 2in1 conveyor engages to collect oversize and middle deck products

Specification subject to change without notice

## Portafill 5000CT



# Mobile Screening Solutions

Dealer



Portafill International Limited  
 29 Farriter Road, Cabragh  
 Dungannon  
 Co. Tyrone, Ireland.  
 BT70 1TL  
 +44 (0)28 8776 9467  
 www.portafill.com  
 reception@portafill.com

www.portafill.com

The Portafill 5000CT is designed with heavy duty screening applications in mind. Small enough to fit inside a container for transport but strong enough to withstand the toughest of materials.

## Portafill 5000CT Features & Specification

Heavy duty variable speed feeder with 1000mm (40") wide belt - 750mm (30") wide wing conveyors with a stockpile height of 2.8m (9' 5") - 1000mm (40") wide oversize conveyor with stockpile height of 2.5m (8' 3").

Oversize conveyor slides inward to optionally collect the oversize and middle deck product. The combined product is then stockpiled out the front oversize conveyor.

Engine	Deutz Diesel 41KW (55HP)
Screen	2400 (8') x 1200 (4')
Total Weight	13,000 kgs (28,600 lbs)
Transport Length	10.629m (34' 10")
Transport Width	2.273m (7' 5")
Transport Height	2.567m (8' 5")
Working Length	10.420m (34' 2")
Working Width	11.424m (37' 5")
Working Height	3.005m (9' 10")



### More Productive

Tough work calls for a machine that is built to take any punishment you can dish out. The Portafill range has the inner strength and the outer durability to handle the toughest jobs. High specification engine and components ensure minimum downtime and maximum productivity. Using only the best, tested and approved materials, combined with a series of stringent quality checks during production and assembly, be assured that you will receive a product of unrivalled quality, durability and reliability.

### Produktiver

Harte Arbeiten brauchen Maschinen, die so gebaut sind, dass sie jede Aufgabe bewältigen. Die Produkte von Portafill besitzen die innere Stärke und die äußere Härte, um auch die schwierigsten Aufgaben zu bewältigen. Motoren und Bauteile in hochwertigster Ausführung garantieren minimale Ausfallzeiten und größtmögliche Produktivität. Wir verwenden ausschließlich die besten, getesteten und genehmigten Materialien und führen während Fertigung und Montage eine Reihe strenger Qualitätskontrollen durch. Sie können also sicher sein, dass Sie ein qualitativ hochwertiges, langlebiges und zuverlässiges Produkt erwerben, das seinesgleichen sucht.

### Più produttivo

I lavori pesanti continuativi richiedono macchine in grado di sopportare qualsiasi tipo di maltrattamento.. La serie Portafill possiede la forza intrinseca e la durezza necessaria per eseguire i lavori che richiedono la massima tenacia. I motori e i componenti di qualità assicurano tempi di inattività minimi e il massimo della produttività. Impiegando solo i migliori materiali, testati ed approvati, uniti ad una serie di severi test di qualità durante le fasi di produzione e di montaggio, siamo in grado di garantire un prodotto di ineguagliata qualità, durezza e profittabilità.

### Plus Productif

Qui dit travaux pénibles dit machine construite pour supporter les plus mauvais traitements que vous pouvez lui infliger. La gamme Portafill possède la force intérieure et la durabilité extérieure nécessaires pour supporter les travaux les plus pénibles. Un moteur et des composants aux caractéristiques élevées assurent un temps de panne minimum et une productivité maximum. Ce n'est que par l'utilisation des meilleurs matériaux, testés et approuvés, associés à une série de contrôles de qualité très stricts réalisés au cours de la production et du montage, que vous serez assurés de recevoir un produit de qualité, durabilité et fiabilité incomparable.